

RSP-T2-AC/...

1,2,3,4-pole lightning and surge arresters, $I_{max} = 40 \text{ kA/pole}$

RSP-T2-AC/2P



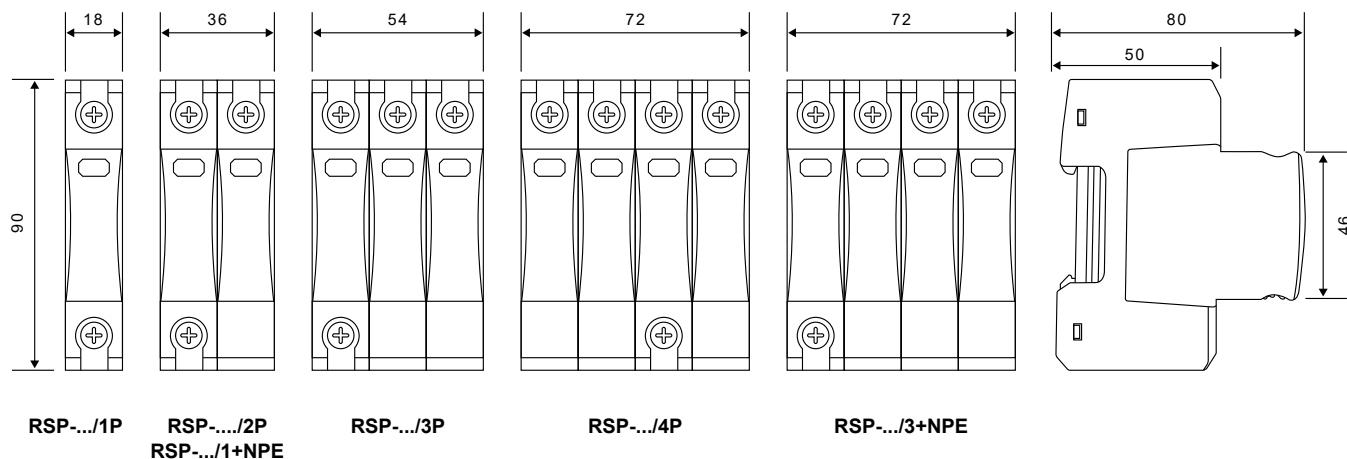
RSP-T2-AC/3P



- Category IEC / EN / VDE: class II / type 2 / C
- Location of use: main-distribution boards (MB)
- Network systems: TN
- Modes of protection: L-N, N-PE
- Protection elements: MOV, MOV+GDT
- Cover: modular (replaceable module) green/red flag
- Mechanical status indicator: green/red flag
- Compliance with standards: IEC 61643-11:2011, ISO 9001, CE, RoHS

Type of arrester	RSP-T2-AC/1P	RSP-T2-AC/2P	RSP-T2-AC/3P	RSP-T2-AC/4P	RSP-T2-AC/1+NPE	RSP-T2-AC/3+NPE
Electrical data						
Number of poles	1	2	3	4	2	4
Max. continuous operating voltage U_c	275 V AC			255 V AC		
Nom. discharge current (8/20 μs) I_n	20 kA			20 kA		
Max. discharge current (8/20 μs) I_{max}	40 kA			40 kA		
Voltage protection level U_p	$\leq 1,5 \text{ kV}$			$\leq 1,5 \text{ kV}$		
Response time t_A	$\leq 25 \text{ ns}$			$\leq 25 \text{ ns}$		
Max. backup fuse	125 A gL/gG			125 A gL/gG		
General data						
Ambient temperature (operating) T_a	-40...+80 °C			-40...+80 °C		
Cross section of cables connected to terminals	1,5...25 mm ² (solid) / 35 mm ² (flexible)			1,5...25 mm ² (solid) / 35 mm ² (flexible)		
Terminal tightening moment	max. 4,5 Nm			max. 4,5 Nm		
Mounting	direct mounting on 35 mm rail mount (EN 60715)			direct mounting on 35 mm rail mount (EN 60715)		
Cover protection category	IP 20 (EN 60529)			IP 20 (EN 60529)		
Cover material	thermoplastic; extinguishing degree UL 94 V-0			thermoplastic; extinguishing degree UL 94 V-0		
Dimensions (L x W x H) [mm]	90 x 18 x 67	90 x 36 x 67	90 x 54 x 67	90 x 72 x 67	90 x 36 x 67	90 x 72 x 67
Weight	120 g	207 g	303 g	376 g	205 g	376 g

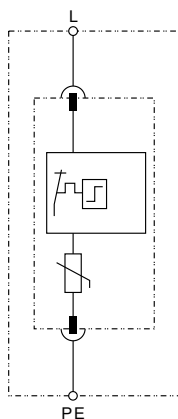
Dimensions



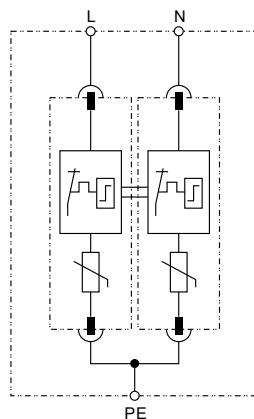
RSP-T2-AC/...

1,2,3,4-pole lightning and surge arresters, $I_{max} = 40 \text{ kA/pole}$

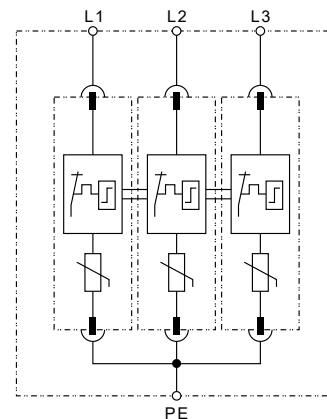
Connection diagrams



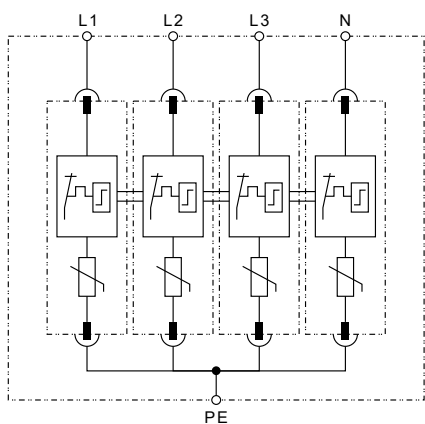
RSP-T2-AC/1P



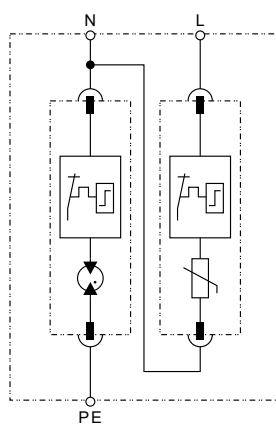
RSP-T2-AC/2P



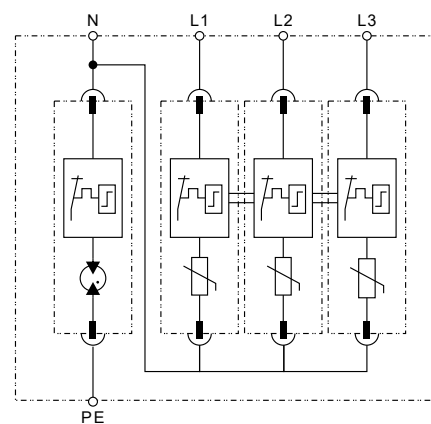
RSP-T2-AC/3P



RSP-T2-AC/4P



RSP-T2-AC/1+NPE



RSP-T2-AC/3+NPE

Applications:

- for protecting low voltage equipment against lightning and surge damages,
- for installation in conformity with the lightning protection zones concept at LPZ 0-1,
- designed according to IEC 61643-11:2011.

Features:

- class II SPDs have adopted hermetical GDT technology, high follow current extinguishing capability,
- extremely low voltage protection level,
- double terminals for parallel or series (V-shape) connection,
- multifunctional connection for conductors and busbars.

Series description:

- **RSP-T2-AC/...** is the class II SPD for low voltage power supply system,
- mainly installed at main distribution cabinet,
- it can discharging lightning current, there is no external spark thanks to the sealed sparkgap technology,
- it has strong follow current extinguishing capability, at 2 kA 255 V fuse 32 A will not be triggered,
- note: all SPD used in power supply system should always add backup fuse or CCT breaker.

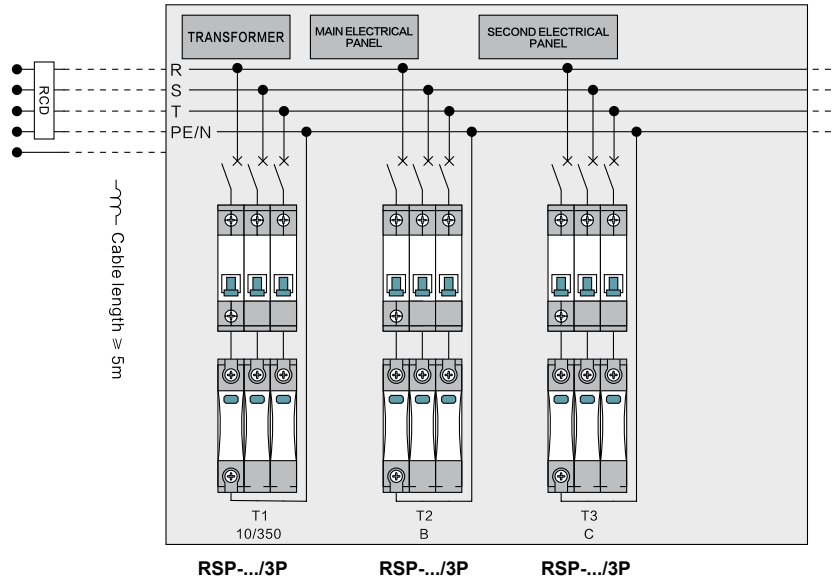
Types for reference:

- **RSP-.../1P**: combined SPD for single-phase TN-C systems and TN-C-S systems (if the PEN connection is established within 0,5 m),
- **RSP-.../2P**: combined SPD for single-phase TN-S systems,
- **RSP-.../3P**: combined SPD for three-phase TN-C systems and TN-C-S systems (if the PEN connection is established within 0,5 m),
- **RSP-.../4P**: combined SPD for three-phase TN-S systems,
- **RSP-.../1+NPE**: combined SPD for single-phase TT systems,
- **RSP-.../3+NPE**: combined SPD for three-phase TT systems.

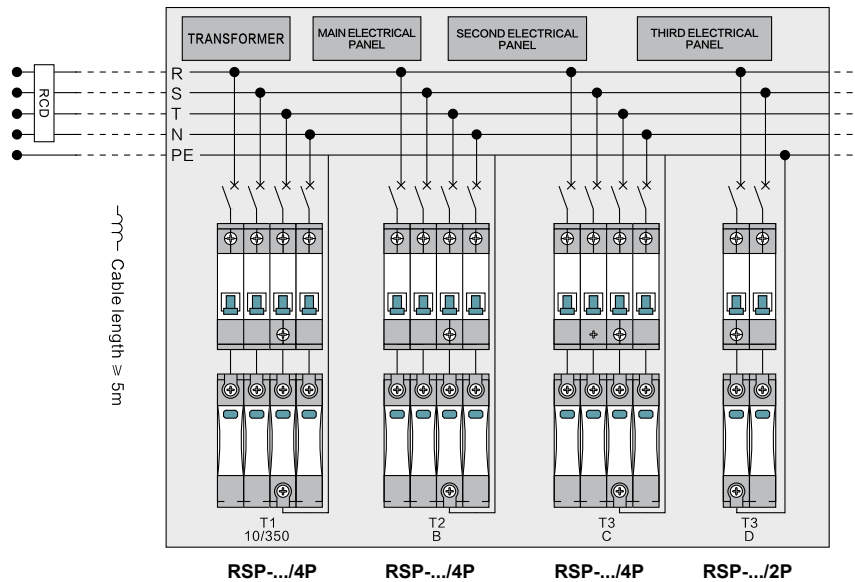
RSP-T2-AC/...

1,2,3,4-pole lightning and surge arresters, $I_{max} = 40 \text{ kA/pole}$

TN-C system



TN-S system



TT system

